

## LED Corn Bulb Lamp Series



5 Years Warranty

### Specifications

Model	BWRL-54W-E(X)39A
Rate Power	54W
Input Voltage	AC100-277V 50-60Hz
CCT	2700-5700K
Power Factor	≥ 0.9
CRI	>80
Lumen	6048-6696lm
LED Quantity	162LEDs 0.3W
LED LM80	Yes



Rubycon

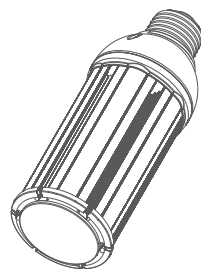
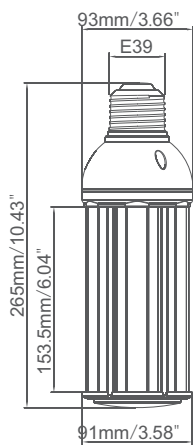


E39

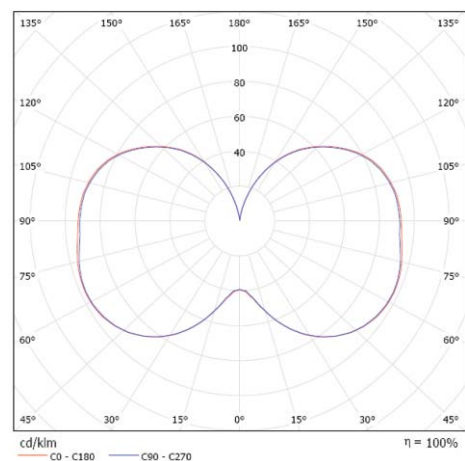


JAE Connector

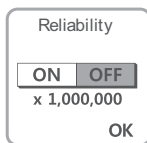
### Dimension



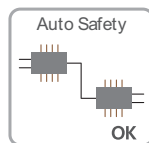
### Luminous emittance



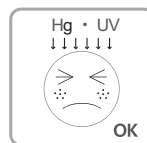
Long Lifespan of 10years



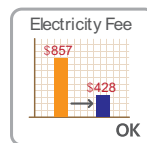
Reliability Test



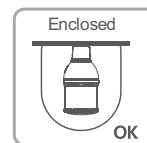
Safety Protection Circuit



No Mercury  
No UVLight



Big Saving(87%)  
on Electricity Costs



Usable in Enclosed  
Luminaires

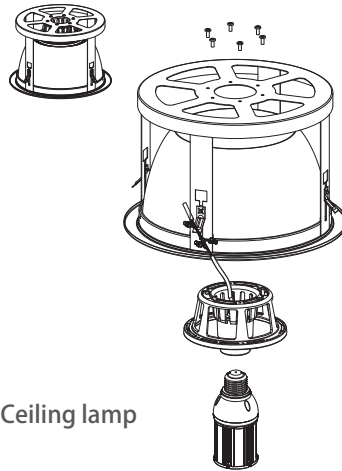


Omni Wide Angle

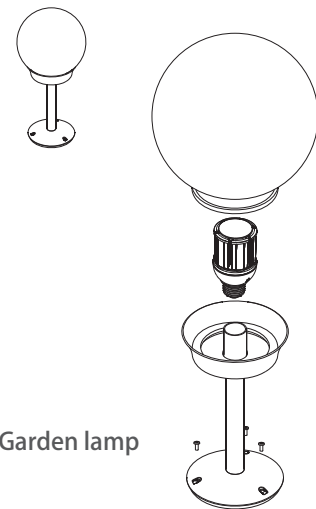
## Installation



High bay lamp



Ceiling lamp



Garden lamp

### Absolute Maximum Rating

Parameter	Rating	Units
Aluminum Heat Sink Temperature	69.5	° C
Operating Temperature	-20~+45	° C
Storage Temperature	-40~+80	° C
Equilibrium Temperature	25	° C

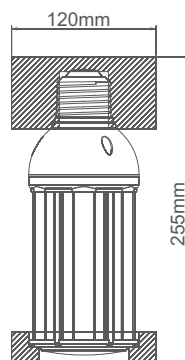
### Label

LED Corn Bulb lamp  
AC100-277V 50-60Hz  
Power: 54W CCT:5000K

LED Corn Bulb lamp  
AC100-277V 50-60Hz  
Power: 54W CCT:5000K

## Product Packing Specification

Packing Details	
Pack Quantity	12pcs
Net Weight	2.1lbs/955g
Gross Weight Per CTN	30.9lbs/14kg
Box Size	126*126*296mm
CTN Size	395*266*612mm



## ⚠ CAUTIONS

- Make sure remove the traditional ballast before replace the LED corn light.
- Don't take apart the product or replace mechanical and electronic components.
- Don't stare at the strong light for a long time as it may cause injury to eyes.