

LED Corn Bulb Lamp Series



5 Years Warranty



Specifications

Model	BWRL-120W-E(X)39A
Rate Power	120W
Input Voltage	AC100-277V 50-60Hz
CCT	2700-5700K
Power Factor	≥0.9
CRI	>80
Lumen	11292-12239lm
Quantity	336LEDs 0.3W
LED LM80	Yes



Rubycon

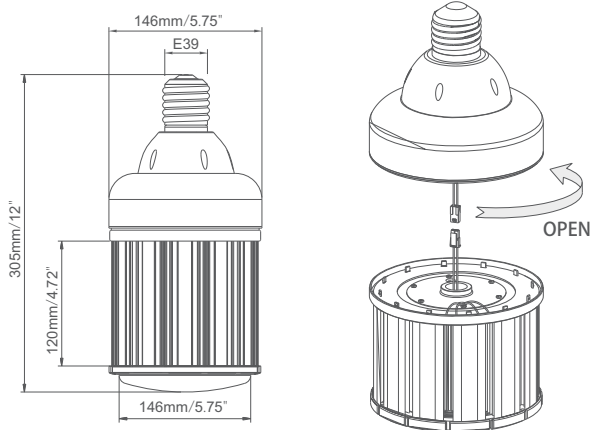


E39

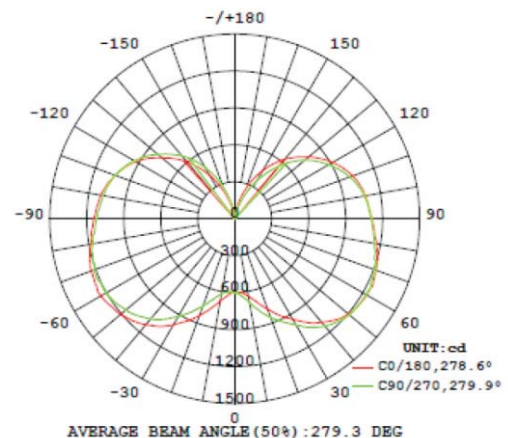


JAE Connector

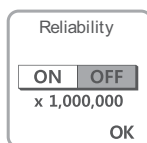
Dimension



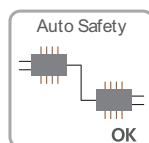
Luminous emittance



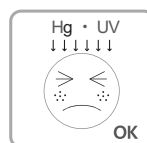
Long Lifespan of 10years



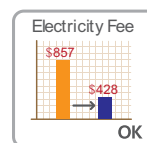
Reliability Test



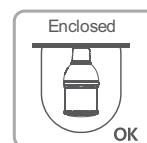
Safety Protection Circuit



No Mercury
No UVLight



Big Saving(87%)
on Electricity Costs



Usable in Enclosed
Luminaires

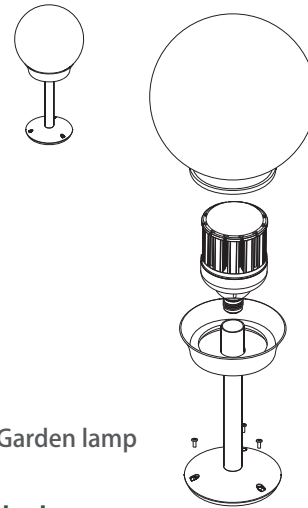


Omni Wide Angle

Installation



High bay lamp

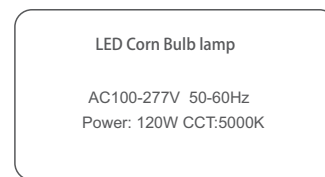


Garden lamp

Absolute Maximum Rating

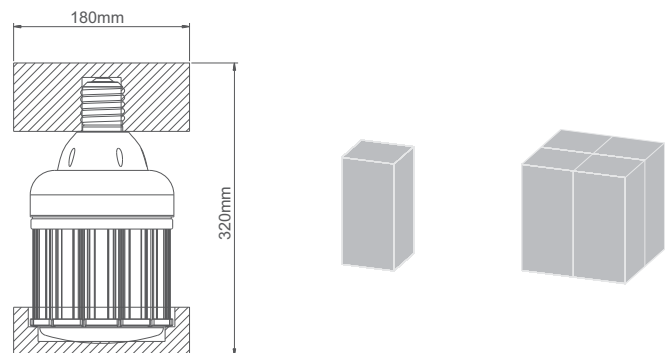
Parameter	Rating	Units
Aluminum Heat Sink Temperature	65	° C
Operating Temperature	-20~+45	° C
Storage Temperature	-40~+80	° C
Equilibrium Temperature	25	° C

Label



Product Packing Specification

Packing Details	
Pack Quantity	4pcs
Net Weight	4lbs/1828g
Gross Weight Per CTN	19.8lbs/9kg
Box Size	185*185*337mm
CTN Size	385*385*357mm



⚠ CAUTIONS

- Make sure remove the traditional ballast before replace the LED corn light.
- Don't take apart the product or replace mechanical and electronic components.
- Don't stare at the strong light for a long time as it may cause injury to eyes.